



125 Class Incandescent Beacons for NEMA 4X Applications

The Edwards 125 Class Incandescent beacons are UL and cUL listed signaling devices, available in two versions, Flashing and Steady-On. Both versions feature a corrosion resistant Type 4X enclosure and can be panel or conduit mounted. The base is manufactured from a 33% glass filled nylon, providing high resistance to heat and high chemical resistivity. The lens is made of shatter resistant polycarbonate. Both the Flashing and Steady-On beacons are available with either a black or gray base, and amber, blue, clear, green or red lens.

The 125 Class Incandescent beacons can be mounted on 1/2" or 3/4" NPT conduit using a 1/2" internal or 3/4" external conduit hub that comes with the unit. It can also be panel-mounted using the mounting gasket provided with the unit. When panel-mounting the 125 Class Incandescent, the surface and construction details of the panel must be taken into consideration to ensure the integrity of the outdoor, NEMA 4X rating is fully maintained.

125 Class Incandescent Features

- Available in 24V DC or 120V AC
- PLC Compatible
- Available with gray or black base
- Option for panel or conduit mounting
- Available in Flashing or Steady-On versions
- Available with amber, blue, clear, green or red lens
- -31°F to 150°F (-35°C to 66°C) operating temperature
- Protective wire guard available, Cat. No. 125GRD

125 Class Incandescent Beacons

Description	Operation	Cat. No.	Base Color	Lens Colors	Operating Voltage	Current	Replacement Lens	Replacement Lamp
Incandescent Beacons in NEMA 4X Enclosure	Flashing	125INCF*24D	Gray	Amber, Blue, Clear, Green, Red	24V DC	0.610 A	125L*	Industry Trade 1692
		125INCF*120A	Gray	Amber, Blue, Clear, Green, Red	120V AC 50/60 Hz	0.510 A	125L*	Industry Trade 15T7DC
		125INCF*24DB	Black	Amber, Blue, Clear, Green, Red	24V DC	0.610 A	125L*	Industry Trade 1692
		125INCF*120AB	Black	Amber, Blue, Clear, Green, Red	120V AC 50/60 Hz	0.510 A	125L*	Industry Trade 15T7DC
	Steady-On	125INCS*24D	Gray	Amber, Blue, Clear, Green, Red	24V DC	0.610 A	125L*	Industry Trade 1692
		125INCS*120A	Gray	Amber, Blue, Clear, Green, Red	120V AC 50/60 Hz	0.510 A	125L*	Industry Trade 15T7DC
		125INCS*24DB	Black	Amber, Blue, Clear, Green, Red	24V DC	0.610 A	125L*	Industry Trade 1692
		125INCS*120AB	Black	Amber, Blue, Clear, Green, Red	120V AC 50/60 Hz	0.510 A	125L*	Industry Trade 15T7DC

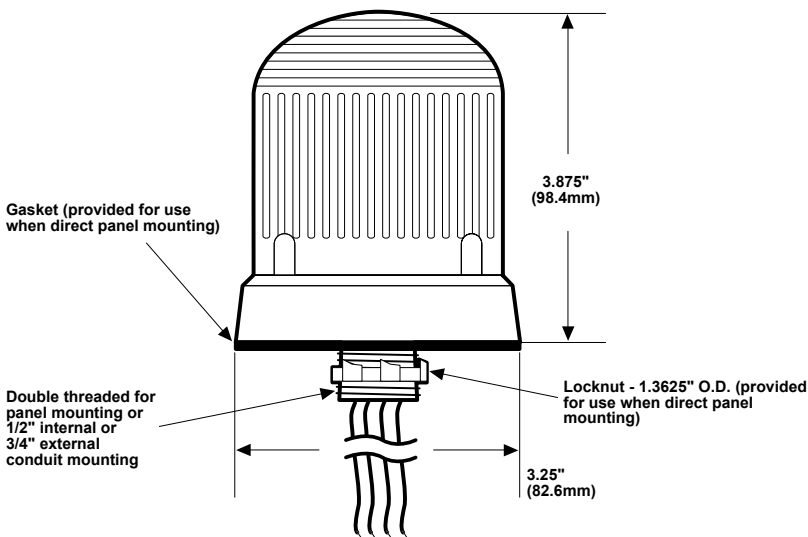
*Letter in this position designates lens color: A - amber, B - blue, C - clear, G - green, or R - red

PLC Output to Meet Input Parameter Specifications

Cat. No.**	Operating Voltage	Max. Off State Leakage Current (mA)	Continuous On Current (mA)	Repetitive Surge	Surge (inrush/duration)
125INCF*24D	24V DC	25	25	0.68 A	7 A exp. decaying
125INCF*120A	120V AC 50/60 Hz	25	25	0.3 A/8 ms	0.8 A exp. decaying
125INCS*24D	24V DC	25	25	2.5 A/60 ms	7 A exp. decaying
125INCS*120A	120V AC 50/60 Hz	25	25	0.5 A/8 ms	0.8 A exp. decaying

**PLC compatibility applies to all models with any lens color and with either a gray or black base.

Dimensional Drawings



Agency Approvals

